

Installation & Operations Manual RTV500 Hood Rack (2 models)

**RTV500 Hood Rack
(For vehicles without
bumpers) Part #08055**

**RTV500 Hood Rack
(For vehicles with
bumpers) Part #08054**



Seizmik makes Soft Tops, Windshields, Light Bars, Mirrors, Hood Racks, Brush Guards, and other great accessories for utility vehicles & side x sides. Our products are engineered tough for long life and tested under the harshest of conditions. Always observe the warnings and precautions in this manual when using your Seizmik products. For best results, carefully follow the instructions in this manual and make no modifications.

Seizmik products are designed, developed and manufactured by Vialink Corp. If you have any questions, comments, need assistance, or are missing parts, please call 1-866-838-3366 ext. 110 between 9:00AM and 5:00PM EST. You can email us at support@seizmik.com.

How to use this manual:

- Be sure to read through the entire manual carefully before beginning installation.
- Read all warnings and precautions carefully and follow safety procedures
- Each Seizmik product has a "difficulty-to-install" rating based on the following:
 - Easy – uses basic hand tools and does not require any modifications to the existing structure of your vehicle. Most Seizmik products fall into this category. Hey, why be difficult?
 - Skilled – requires a little more skill to install properly. May require modifications to the vehicle (drilling, electrical, etc. as well as the use of power tools.
 - Difficult – May require welding or extensive mechanical work for proper installation. Hardly any Seizmik products fall into this category but we had to say it.
- Watch for the following symbols:



CAUTION – Indicates an installation or operational step or procedure that if not followed could result in damage to the product or you. Use caution when you see this symbol and follow all instructions.



TIP – Indicates an installation or operation tip. These tips can help you avoid installation problems, ensure safe and easy operation, and make sure everything goes smoothly.



WARNING – Indicates an installation or operational procedure that must be observed to prevent serious injury or death.

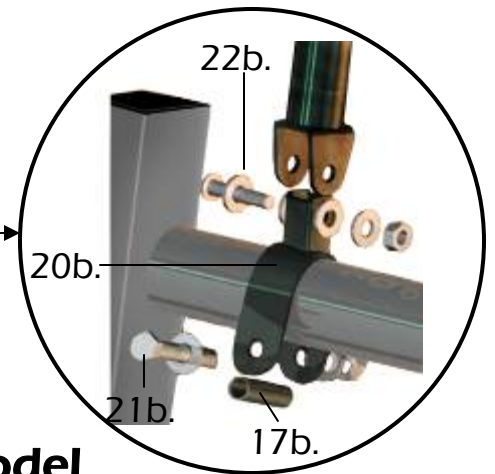
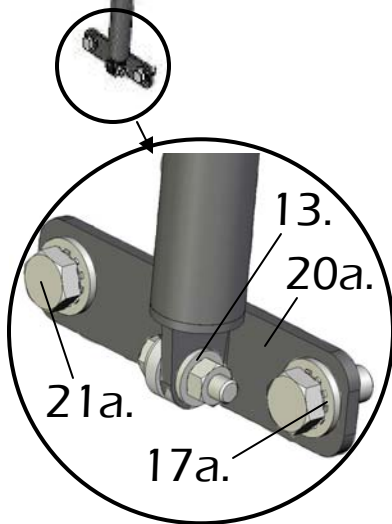
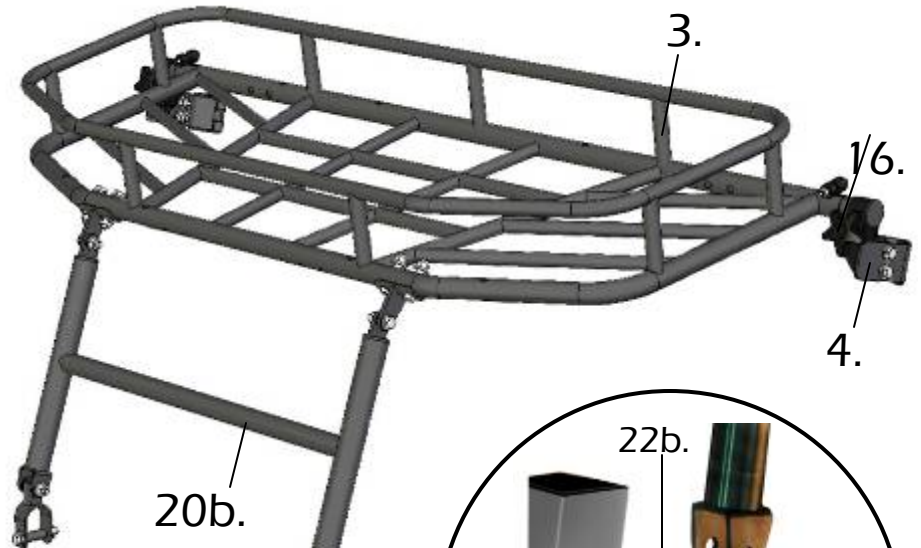
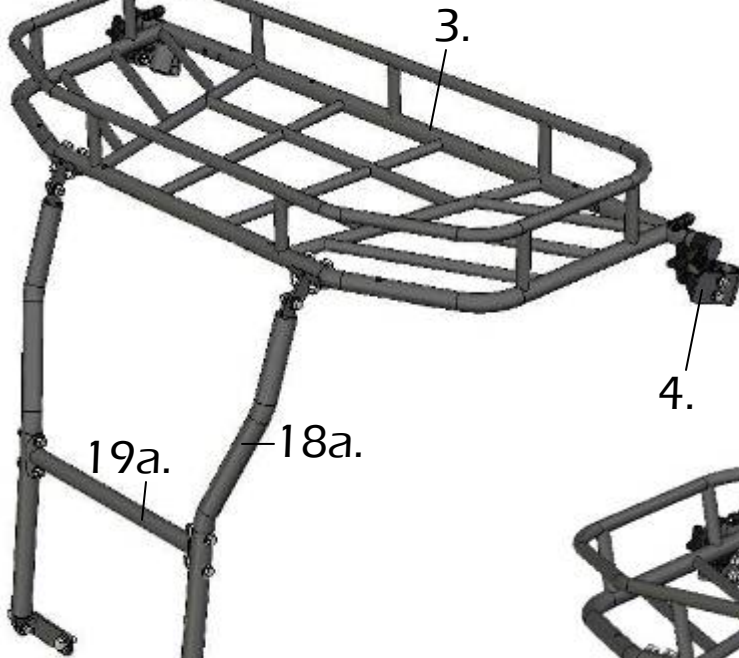
Installation information:

- This product has an installation rating of: **Easy**
- Approximate installation time: **15 Minutes**
- This product is easiest to install with: **2 people**

Parts for Both Racks

| ITEM NO. | DESCRIPTION | QTY |
|----------|------------------------------|-----|
| 1. | Clamp Gasket | 2 |
| 2. | 1" U-Clamp | 2 |
| 3. | Basket | 1 |
| 4. | Roll Cage Clamp | 2 |
| 5. | Rear Adjustable Basket Arm | 2 |
| 6. | Basket Tab | 2 |
| 8. | Hex Cap Screw M6 x 1.0 x 40 | 2 |
| 9. | Hex Cap Screw M8 x 1.25 x 30 | 8 |
| 10. | Hex Cap Screw M8 x 1.25 x 45 | 4 |
| 11. | Washer, 6mm | 4 |
| 12. | Washer, 8mm | 32 |
| 13. | Nylon Pivot Washer, 8mm | 4 |
| 14. | Hex Nut, M6 x 1 | 2 |
| 15. | Hex Nut, M8 x 1.25 | 16 |
| 16. | 0.375" star grip bolt | 2 |

RTV500 Hood Rack for vehicles without bumper (Part# 08055)



RTV500 Hood Rack for vehicles with bumpers (Part# 08055)

Parts specific to model

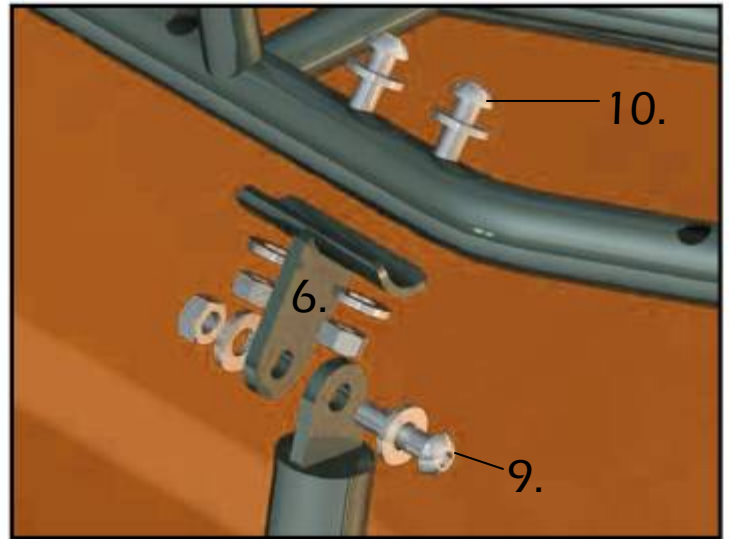
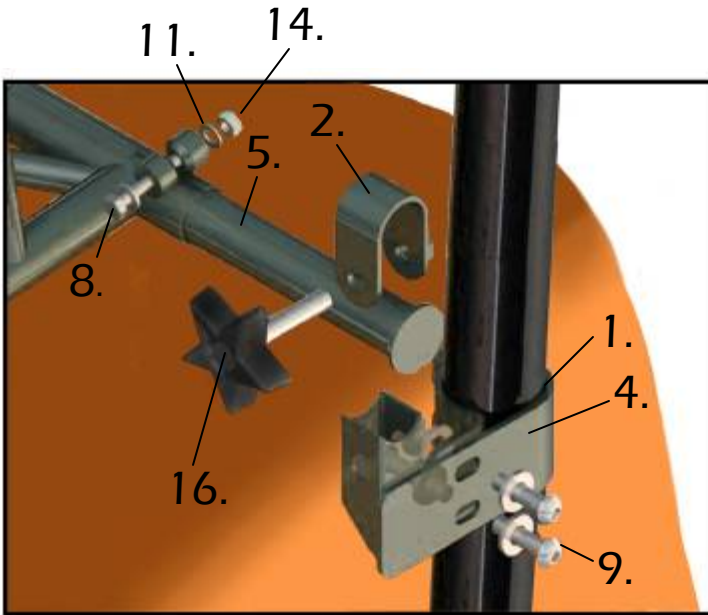
RTV500 Without Bumper (Part #08054)

| ITEM NO. | DESCRIPTION | QTY |
|----------|-------------------------------|-----|
| 17a. | External Tooth Lock Washers | 4 |
| 18a. | RTV500 Riser | 2 |
| 19a. | RTV500 Riser Brace | 1 |
| 20a. | Front Pivot Mount | 2 |
| 21a. | Hex Cap Screw M12 x 1.75 x 25 | 4 |
| 22a. | Washer, 12 mm | 4 |
| 23a. | Hex Cap Screw M8 x 1.25 x 50 | 4 |

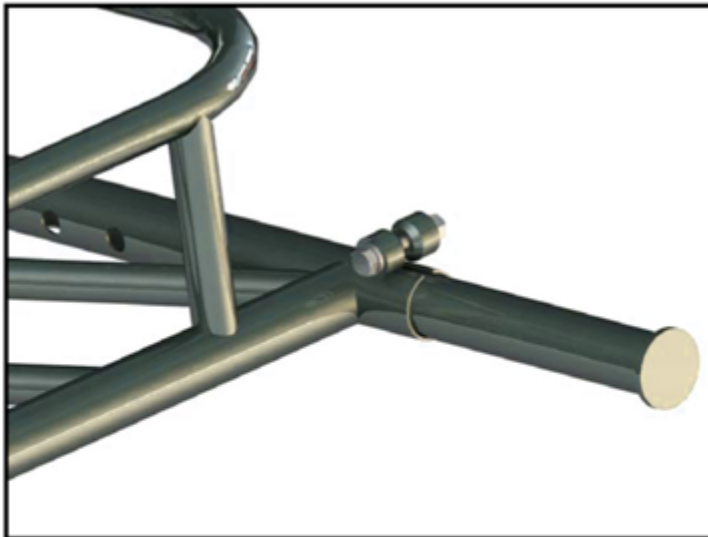
RTV500 with Bumper (Part #08055)

| ITEM NO. | DESCRIPTION | QTY |
|----------|-------------------------------|-----|
| 17b. | RTV500 Crush Tube | 2 |
| 18b. | RTV500 Short Riser | 1 |
| 19b. | RTV500 Bumper Clamp | 2 |
| 20b. | Hex Cap Screw, M8 x 1.25 x 45 | 6 |
| 21b. | Hex Cap Screw, M8 x 1.25 x 55 | 2 |
| 22b. | Nylon Pivot Washer, 8mm | 2 |
| 23b. | Hex Nut, M8 x 1.25 | 14 |

Parts (continued)



Installation



1. Slide the basket extension arms into the long receiver tube at the rear of the hood rack basket. Insert the M6 hardware through the two welded bosses as shown, and leave slightly loose for now. Repeat for the other side.

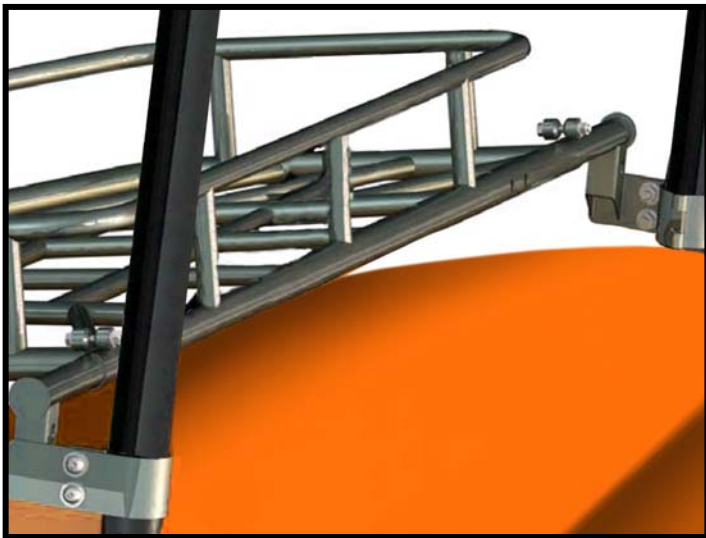
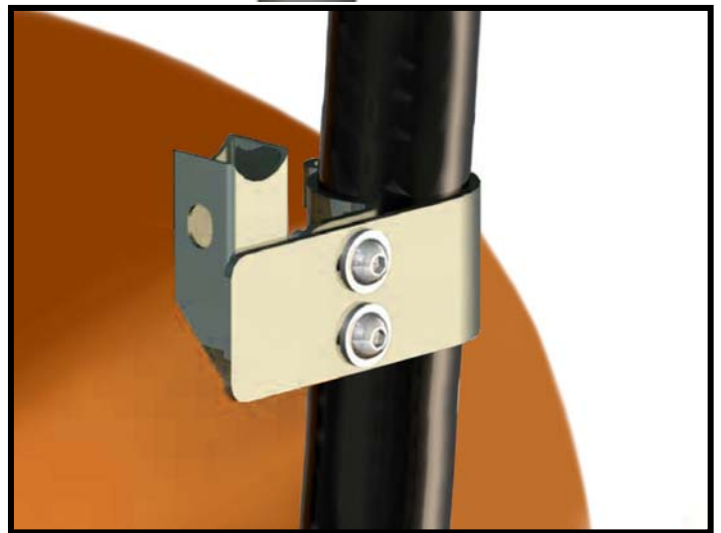
2. Bolt the two mounting tabs onto the front of the basket as shown, using the M8 x 40 bolts, washers & nuts. Use the outer sets of mounting holes in the basket. Leave slightly loose for now.

Installation (continued)

3. Attach the front riser to the basket tabs, as shown. Use a nylon pivot washer between the two mating tab faces. Bolt through using M8 x 30 bolts, washers and nuts.



4. Install the driver-side roll cage clamp, setting the bottom of the clamp immediately above the weld bead on the cage tube. Orient the assembly so the tube portion is pointing forward. Bolt through the clamp arms as shown, using the M8x 30 bolts, washers and nuts.

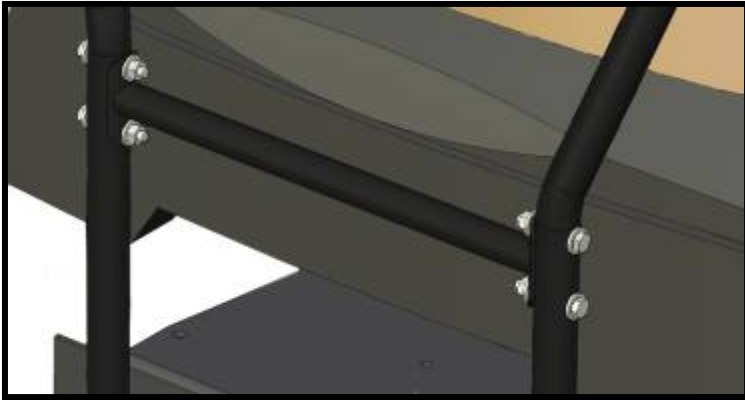


5. Have an assistant hold the front of the assembly while you set the basket arms down onto the rear clamps, as shown.

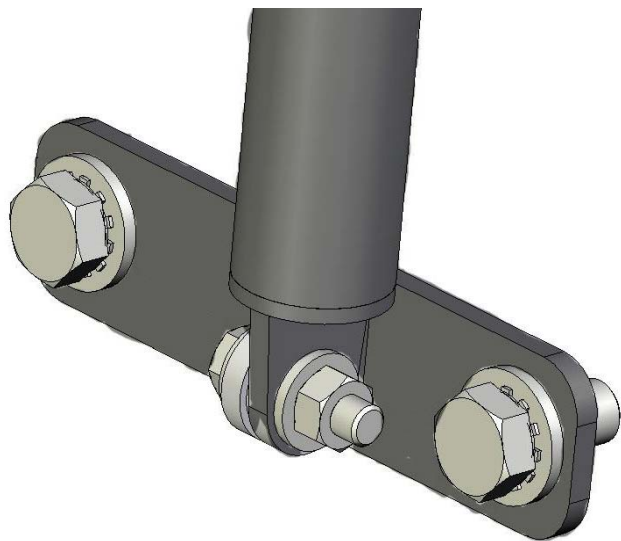


6. Adjust the width of the basket arms if necessary, and secure them with a U-clamp and star bolt.

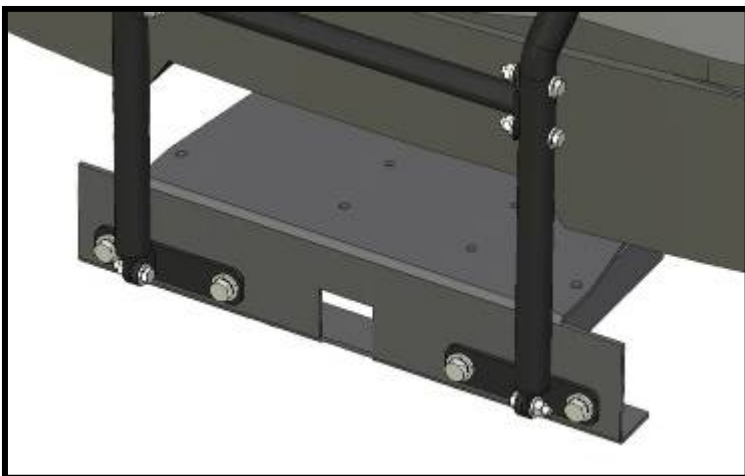
Instruction for RTV500 Without Bumper Hood Rack (Part #08054)



8a. Attach the brace to the risers using M8 x 50 bolts, washers and nuts.

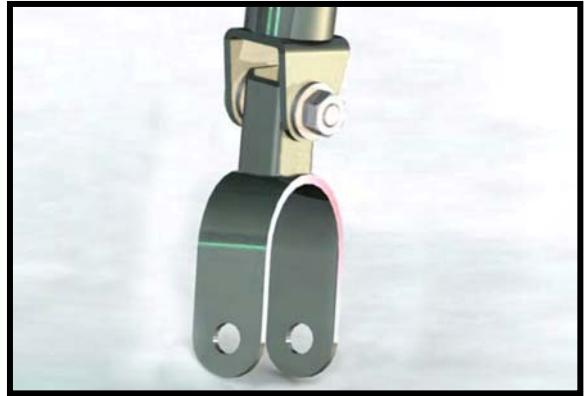


9a. Attach the risers to the front pivot mount using two nylon pivot washers per side, one between each mating face. Bolt through using M8 x 45 bolts, washers and nuts.



10a. Secure the front pivot mounts to the bottom bumper mount on the RTV500 with M12 x 25 bolts, the 12 mm washers, and external tooth lock washers.

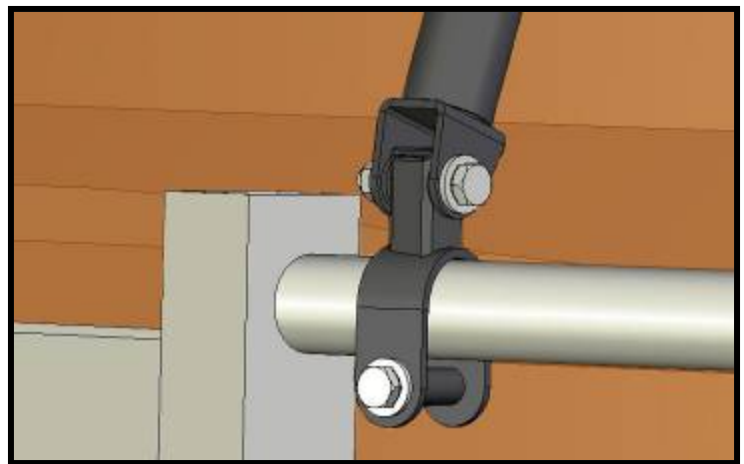
Instructions for RTV500 with Bumper Hood Rack (Part #08055)



8b. Attach the bumper clamps to the bottom of the front riser, as shown. Use two nylon pivot washers per side, one between each mating face. Bolt through using M8 x 45 bolts, washers and nuts.



9b. Set the bumper clamps down onto the bumper.



10b. Set the bumper clamps down on the bumper and secure the bumper clamps with the 3/8" bolts, washers and nuts, sliding a crush sleeve between the two clamp halves as shown.



11. Ensure all hardware is tightened down and the installed rack looks like the images above

To access under the hood: To flip the rack open, simply unscrew the star bolts and flip the hood rack forward.

Congratulations – You have now finished the installation of your Seizmik Hood Rack.

How to get Help - If you have any questions, comments, need assistance, or are missing parts, please call 1-866-838-3366 ext. 110 between 9:00AM and 5:00PM EST. You can email us at support@seizmik.com, visit www.seizmik.com to download installation guides and product info, or contact your powersports dealer where you purchased your Seizmik product if you need additional assistance.